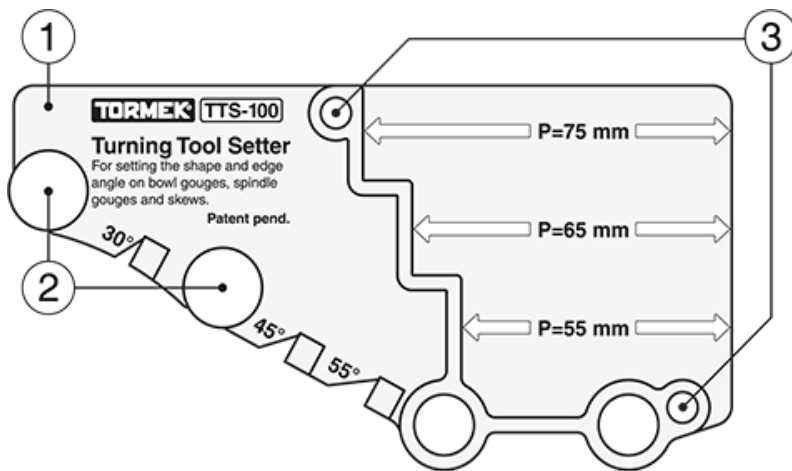


TTS-100 Turning Tool Setter



Item	Article	Denomination	Quantity	Weight/piece	
				g	oz
1		Base	1		
2	1250	Metal contact disc	2	3	0,11
3	5300	Magnet	2	1	0,04